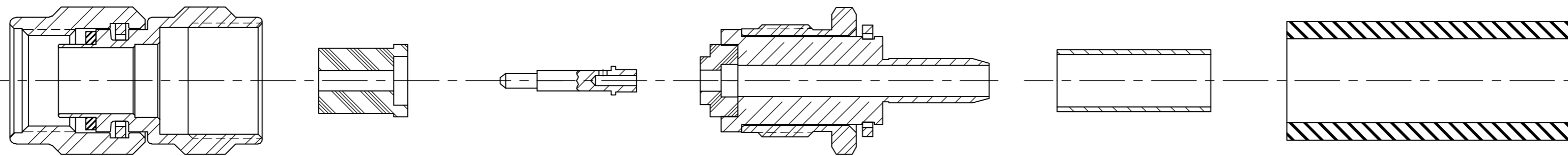
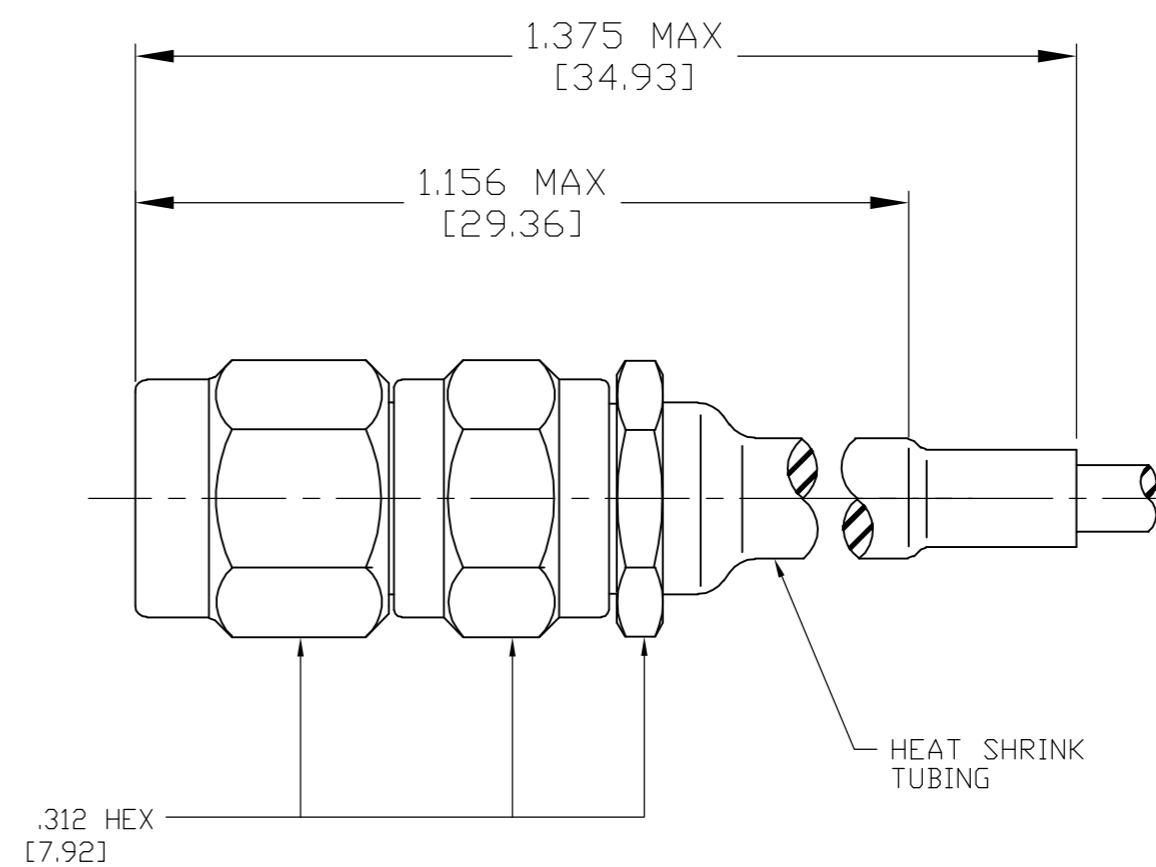


THIS DRAWING IS UNPUBLISHED. RELEASED FOR PUBLICATION
 © COPYRIGHT BY TYCO ELECTRONICS CORPORATION. ALL RIGHTS RESERVED.

LOC		DIST		REVISIONS			
P	LTR	DESCRIPTION	DATE	DWN	APVD		
	B	REV PER ECO 06-029037	12-12-06	CT	RG		



AS RECIEVED BY CUSTOMER



ASSEMBLED VIEW

COMPONENT	MATERIAL	FINISH
HOUSING COUPLING NUT CLAMP NUT	STAINLESS STEEL PER ASTM-A484 AND ASTM- A582, TYPE 303	PASSIVATE PER AMS-QQ-P-35
DIELECTRIC	TFE FLUOROCARBON PER ASTM-D-1457	N/A
CENTER CONTACT	BERYLLIUM COPPER PER ASTM-B-196 OR ASTM-B-197, ALLOY C17300, CONDITION H	GOLD PLATE PER AMS-2422
INNER SLEEVE	BRASS PER ASTM-B-16, HALF HARD	GOLD PLATE PER AMS-2422
RETAINING RING	BERYLLIUM COPPER PER ASTM-B-194, ALLOY C17200, CONDITION H	GOLD PLATE PER AMS-2422
GASKET	SILICONE RUBBER PER ZZ-R-765	N/A
SHRINK TUBING	HEAT SHRINKABLE POLYOLEFIN COMPOUND MIL-I-23053/4	N/A
FERRULE	COPPER OR BRASS ALLOY ROCKWELL F65 MAXIMUM	GOLD PLATE PER AMS-2422

DESIGNED FOR USE WITH RAYCHEM 9530G1018	
CABLE ENTRY DIAMETER MINIMUM	
SLEEVE	.075 [1.91]
DIELECTRIC	.080 [2.03]
CONTACT	.023 [0.58]

1757675-1
PART NUMBER

THIS DRAWING IS A CONTROLLED DOCUMENT.		DWN C.C.THOMAS 5-10-06	AMP Tyco Electronics Corporation Harrisburg, PA 17105-3608	
DIMENSIONS: INCHES		CHK R.GROSS 5-10-06	NAME OSM STRAIGHT CABLE PLUG KIT, CRIMP ATTACHMENT	
TOLERANCES UNLESS OTHERWISE SPECIFIED:		APVD R.GROSS 5-10-06	APPLICATION SPEC 408-04949	
0 PLC ± -		SIZE A2		
1 PLC ± -		CAGE CODE 00779		
2 PLC ± -		DRAWING NO C=1757675		
3 PLC ± .005 [0.13]		RESTRICTED TO -		
4 PLC ± -		SCALE 4:1		
ANGLES ± -		SHEET 1 of 1		
FINISH SEE TABLE		REV B		
MATERIAL SEE TABLE		CUSTOMER DRAWING REF: 2031-5124-02		